

Metal tube flowmeters Series SC250

Variable area flowmeter for liquids, gases and steam

- Metallic or plastic tube with a robust construction
- Available for all flow directions
- High performance measurement under extreme pressure and temperature conditions
- Low pressure drop
- Fully hygienic design available
- Damping mechanism to avoid float bounces in gas and steam applications
- Flow rate:
 - Water: 2.5 l/h ... 180 m³/h
 - Air: 75 NI/h ... 5400 Nm³/h
- Accuracy:
 - SC250 / SC250H ... V: 2.5% (q_G=50%)
1.6% (q_G=50%) on request
 - SM250: 1.6% (q_G=50%)
- Connections:
 - SC250: flange EN 1092-1 DN15 ... DN150
 - SC250H ... V / SM250: flange EN 1092-1 DN15 ... DN80

Other flange standards on request (ASME B16.5, JIS,...)

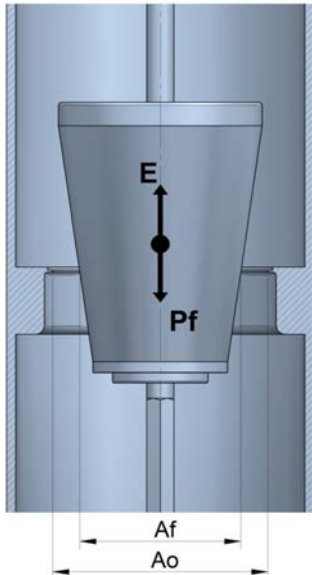
 - BSP or NPT thread
 - Sanitary connections acc. to ISO 2852, SMS 1145, DIN 11851, TRI-CLAMP®
- Materials: EN 1.4404 (AISI 316L), PVC, PP, PTFE, Titanium, Hastelloy C
- Local indication
- Options:
 - 1 or 2 limit switches
 - Electronic transmitter with 4-20 mA analog output for safe or hazardous area (Ex ia or Ex d protection, ATEX certified, IECEx certified), HART, MODBUS protocol available on request
 - Local volume totalizer. Digital output programmable as a pulse or an alarm output (not available for Ex transmitters)



Working principle

Flowmeters based in the variable area principle. For model SC250, the metering system consists on a calibrated orifice and a conical float. The force from the fluid displaces the float until it reaches an equilibrium point.

Each float position represents an area between the float and the orifice. This area corresponds to a specific flow rate.



Ao= Calibrated orifice area
Af= Float area
Pf= Weight of the float
E= Force of the fluid flow
AI= Ao-Af= Free area of flow

Model SC250H ... V includes a spring, so that the force of the fluid displaces the float and compresses the spring until it reaches an equilibrium point.

Model SM250, designed for high viscosities (higher than 10 mPa·s, depending on flow rate), consists on a conical tube with a special T or V float. In this model there is not a calibrated orifice inside the flow tube.

Applications

- Water treatment plants, pulp & paper and food industry
- Pharmaceutical, chemical and petrochemical industry and power plants and nuclear generating plants
- Heating and cooling circuits
- Saturated steam circuits
- Oven treatments and control of gas burners

Models

- **SC250** upwards flow direction, for gases and liquids with viscosity lower than 10 mPa·s
- **SC250V** downwards flow direction or upwards flow direction with an increase of the flow capacity, for gases and liquids with viscosity lower than 10 mPa·s
- **SC250H** horizontal flow direction, for gases and liquids with viscosity lower than 10 mPa·s
- **SM250** upwards flow direction, for liquids with high viscosity (higher than 10 mPa·s)

Technical data

- **Accuracy**, acc. to VDI/VDE 3513 sheet 2 ($q_G=50\%$):
 - SC250 ... H ... V: 2.5% / 1.6% on request
 - SM250: 1.6%
- **Direct scales in engineering units or in %**
- **Scale range:** 10:1
- **Fluid temperature:**
 - EN 1.4404 (AISI 316L): -50°C ... +300°C depending on model and configuration. For higher temperatures, see thermal separator
 - PTFE: -20°C ... +150°C
 - PVC: 0°C ... +50°C
 - PP: -5°C ... +90°C
- **Ambient temperature:**
 - EN 1.4404 (AISI 316L) & PTFE: -20°C ... +80°C
 - PVC: 0°C ... +45°C
 - PP: -50°C ... +80°C
- **Working pressure:**
 - EN 1.4404 (AISI 316L):

PN40	DN15 ... DN50
PN16	DN65 ... DN150

 Others on request
 - AISI 316L + PVC ... PP ... PTFE (AISI 316L tube, PVC / PP / PTFE lined):

PN40	DN15 ... DN40
PN16	DN50 ... DN125
PN10	DN150

 Others on request
 - FULLY PVC ... PP: PN16
- **Connections:**
 - EN 1092-1 or ASME B16.5 flange:

SC250	DN15 ... DN150 / ½" ... 6"
SM250	DN15 ... DN80 / ½" ... 3"
SC250H ... V	DN15 ... DN80 / ½" ... 3"

 Other flange standards on request (JIS,...)
 - Threaded connections BSP or NPT (only SC250 / SC250H ... V)
 - Sanitary connections according to ISO 2852, SMS 1145, DIN 11851, TRI-CLAMP® (only SC250)
- **Housing:** IP65 coated aluminium, polycarbonate window. IP67 EN 1.4404 (AISI 316L), glass window or IP65 PP, methacrylate window, on request
- **Fully hygienic design available on request**

Operation

- **SC250 / SM250: vertical upwards flow**
- **SC250V: vertical upwards flow (BD)**
- **SC250V: vertical downwards flow (DAB)**
- **SC250H: horizontal left to right flow (ED)**
- **SC250H: horizontal right to left flow (DES)**

Metal tube flowmeters

Series SC250

Limit switches and transmitters

- **AMM1 ... 2:** 1 or 2 adjustable micro-switches
- **AMD1 ... 2:** 1 or 2 adjustable inductive detectors (+ relays on request)
- **TH7 ... TH7H:** 4-20 mA transmitter 2 wires + digital output. **HART protocol** with model TH7H
- **TH7T ... TH7TH:** 4-20 mA transmitter + totalizer 2 wires + digital output. **HART protocol** with model TH7TH

All switches and transmitters are available with **ATEX / IECEx Ex ia or Ex d certification**

The **ATEX / IECEx Ex ia certified transmitters do not provide a digital output**

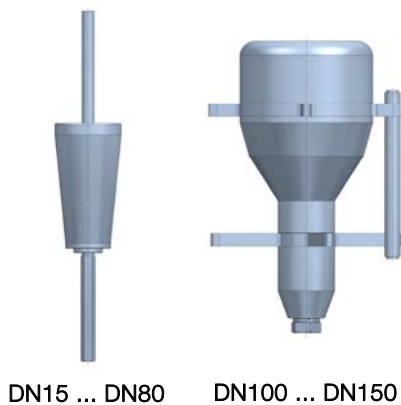
- **MT03A:** electronic converter. **MODBUS RTU RS485** protocol optional



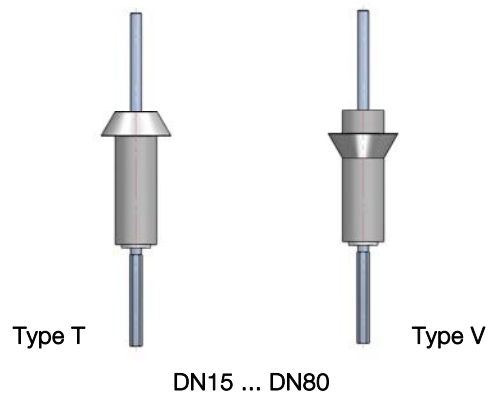
SC250 / AISI 316L

Float types

Model SC250



Model SM250

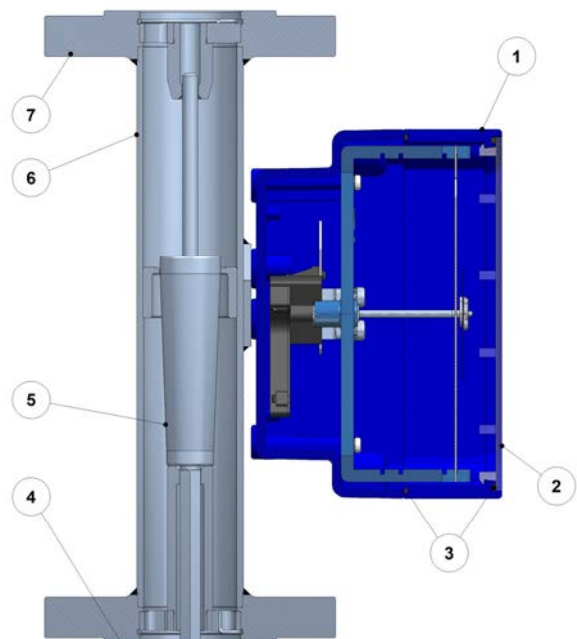


Floats made of AISI 316L, PVC, PP and PTFE as the standard materials or other materials on request.

Materials

N°	Description	Materials		
		EN 1.4404	PVC / PP	PTFE
1	Housing	Coated aluminium		
2	Window	Polycarbonate (UV resistant)		
3	O-rings	NBR / Silicone		
4	Flange seat	EN 1.4404	PVC / PP	PTFE
5	Float	EN 1.4404	PVC / PP	PTFE
6	Flow tube	EN 1.4404	PVC / PP	EN 1.4404 + PTFE
7	Flanges	EN 1.4404	PVC / PP	EN 1.4404

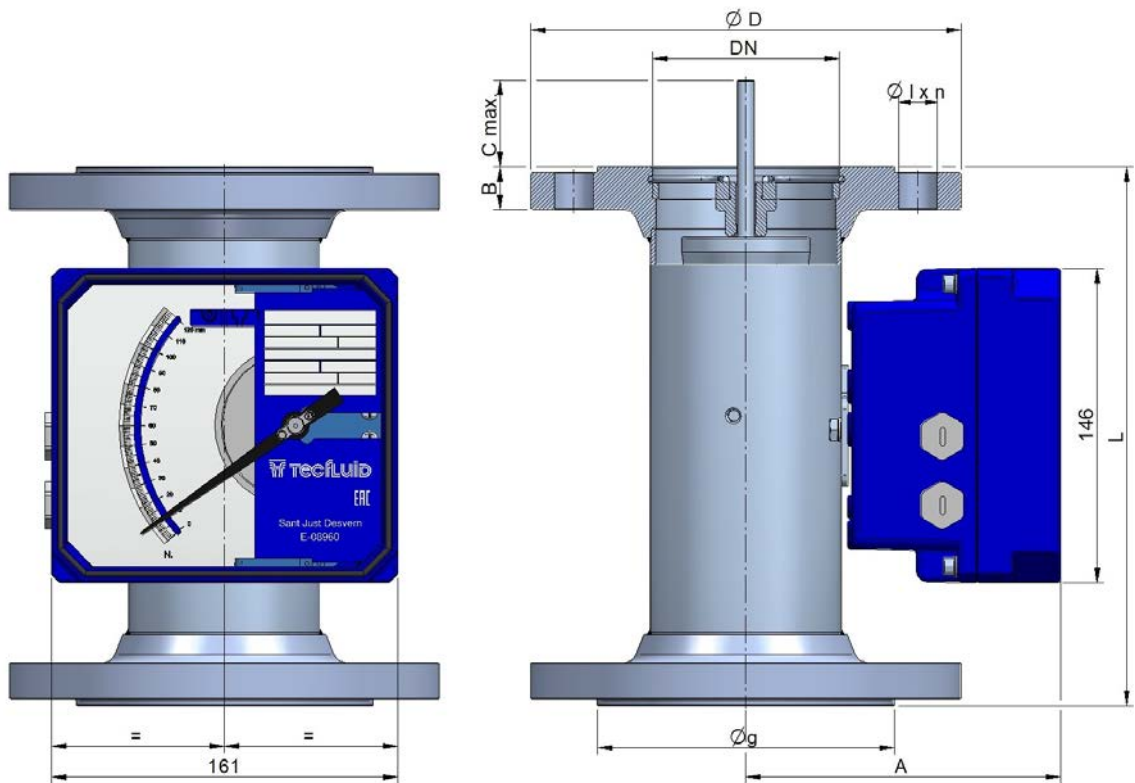
Other materials on request



Dimensions

EN 1092-1 flange

DN	PN	Ø D	Ø k	Ø g	Ø l x n	B	A		C max		L	Weight (kg)
							SC250	SM250	SC250	SM250		
15 BC	40	95	65	49	14 x 4	16	114	-	-	-	250	3.5
15	40	95	65	49	14 x 4	16	118	124	38	39	250	3.5
25	40	115	85	68	14 x 4	18	124	129	38	33	250	4.5
40	40	150	110	88	18 x 4	18	129	135	40	58	250	7.3
50	40	165	125	102	18 x 4	20	135	140	40	58	250	8.3
65	16	185	145	122	18 x 8	18	140	148	40	58	250	10
80	16	200	160	138	18 x 8	20	148	157	40	58	250	12
100	16	220	180	158	18 x 8	20	157	-	-	-	250	15
125	16	250	210	188	18 x 8	22	170	-	-	-	250	20
150	16	285	240	212	22 x 8	22	183	-	-	-	300	32



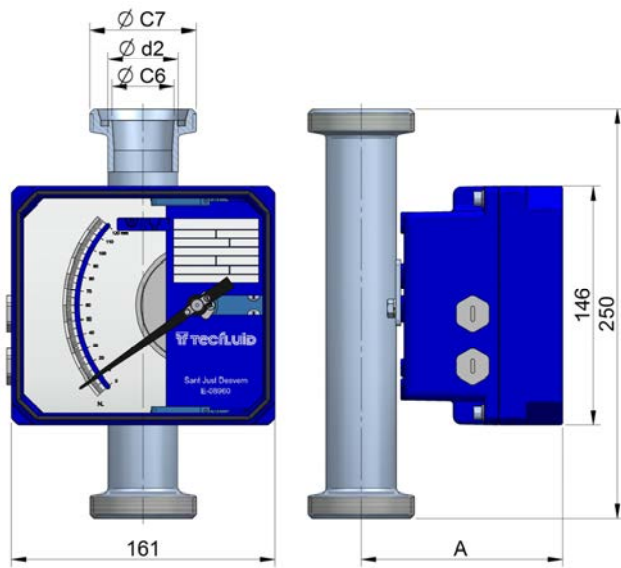
ASME B16.5 flange

NPS	Class	Ø D	Ø k	Ø g	Ø l x n	B	A		C max		L	Weight (kg)
							SC250	SM250	SC250	SM250		
½"	150	88.9	60.3	44.0	15.90 x 4	11.1	114	114	-	38	250	3.5
¾"	150	98.4	69.8	42.9	15.90 x 4	12.7	118	124	38	39	250	4.5
1"	150	107.9	79.4	50.8	15.90 x 4	14.3	124	129	38	38	250	7.3
1 ¼"	150	117.5	88.9	63.5	15.90 x 4	15.9	124	129	38	38	250	8.3
1 ½"	150	127.0	98.4	73.0	15.90 x 4	17.5	129	135	40	58	250	10
2"	150	152.4	120.6	92.1	19.05 x 4	19.1	135	140	40	58	250	12
2 ½"	150	177.8	139.7	104.8	19.05 x 4	22.2	140	148	40	58	250	15
3"	150	190.5	152.4	127.0	19.05 x 4	23.8	148	157	40	58	250	20
4"	150	228.6	190.5	157.2	19.05 x 8	23.8	157	-	-	-	250	32
5"	150	254.0	215.9	185.7	22.20 x 8	23.8	170	-	-	-	250	20
6"	150	279.4	241.3	215.9	22.20 x 8	25.4	183	-	-	-	300	32

Metal tube flowmeters

Series SC250

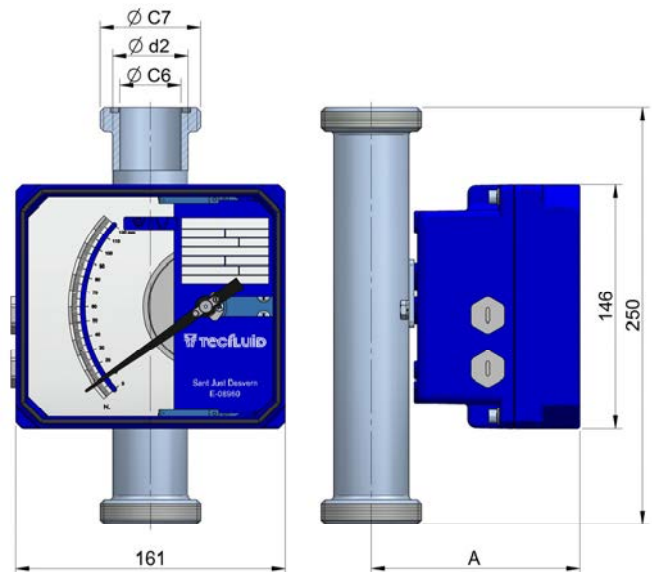
Sanitary connection DIN 11851 (EN 1.4404)



NW - DN	15	25	40	50	65	80	100
Ø C ₇	Rd 34	Rd 52	Rd 65	Rd 78	Rd 95	Rd 110	Rd 130
	x 1/8"	x 1/6"	x 1/6"	x 1/6"	x 1/6"	x 1/4"	x 1/4"
Ø C ₆	17	24.8	35.6	45.8	67	82.8	100
Ø d ₂	28	44	57	70	83	103	118
A	114	118	124	129	140	148	157
DIN EQ.	15(BC)*	15	25	40	50-65	80	100

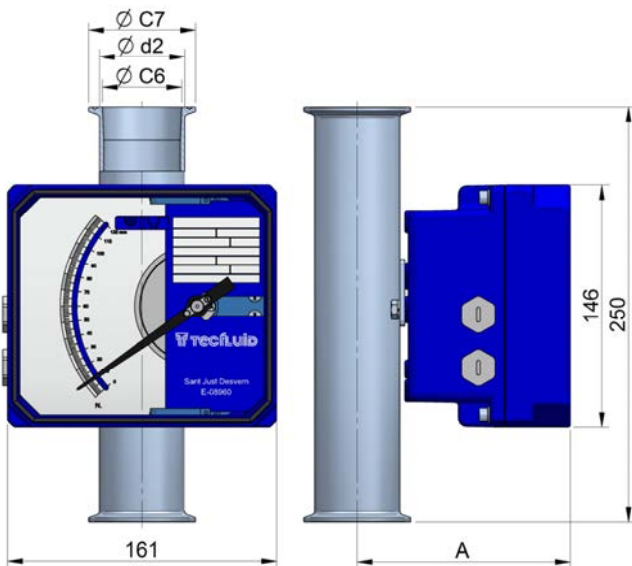
* Max flow rate 250 l/h H₂O

Sanitary connection SMS 1145 (EN 1.4404)



NW - DN	15	25	40	50	65	100
Ø C ₇	40	60	70	85	98	125
Ø C ₆	22.5	35.5	48.5	60.5	72	100
Ø d ₂	40	60	70	85	98	125
A	115	124	129	135	140	157
DIN EQ.	15	25	40	50	65	100

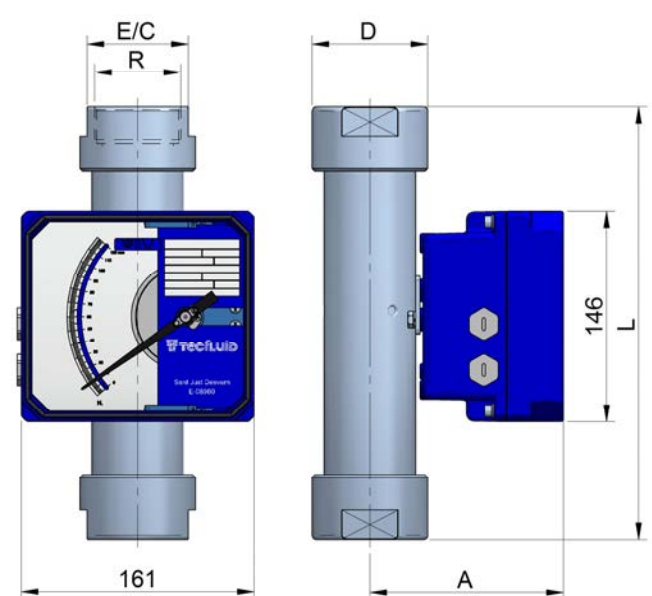
Sanitary connection CLAMP ISO 2852 (EN 1.4404)



Ø C ₇	34	50.5	50.5	64	77.5	91	106	130
Ø C ₆	17	24.8	35.6	45.8	58.3	67	82.8	100
Ø d ₂	21.3	30	42	51	63.5	73	88.9	108
A	114	118	124	129	135	140	148	157
DIN EQ.	15(BC)*	15	25	40	50	65	80	100

* Max flow rate 250 l/h H₂O

Threaded connection BSP / NPT (EN 1.4404)



R	1/2"	1/2"	3/4"	1"	1 1/2"	2"	2 1/2"	3"	4"
L(R)	282	313	282	285	305	305	315	315	315
L(N)	334	313	344	285	305	305	315	315	315
D	35	37	40	55	65	80	90	110	130
A	114	118	118	124	129	135	140	146	156
E/C	30	32	32	46	60	70	85	104	124
DIN EQ.	15	15	15	25	40	50	65	80	100
	(BC)*								

* Max flow rate 250 l/h H₂O

(R) = BSP-F / L(N) = NPT-F

Flow ranges

Model SC250

DN (NPS)	Float N°	Flow scales			Flow scales			
		EN 1.4404 (AISI 316L) float (7.95 g/cm³)			PVC float			
		l/h water	Nm³/h air 1.013 bar abs 20°C	ΔP mbar	l/h water	ΔP mbar	Nm³/h air 1.013 bar abs 20°C	ΔP mbar
15 (½")	15025	2.5-25	0.07-0.7	40	2.5-25	20	0.1-1	30
	15040	4-40	0.12-1.2	40	6-60	15	0.2-2	25
	15060	6-60	0.18-1.8	40	10-100	15	0.4-4	25
	15100	10-100	0.3-3	40	16-160	15	0.6-6	25
	15160	16-160	0.5-5	50	25-250	15	1-10	25
	15250	25-250	0.7-7.5	50	40-400	15	1.6-16	25
15 (¾")	15400	40-400	1.2-12	50	60-600	15	2-20	25
	15600	60-600	1.8-18	50				
25 (1")	25040	40-400	1.2-12	40				
	25060	60-600	1.8-18	40				
	25100	100-1000	3-30	60	16-160	10	0.6-6	20
	25160	160-1600	5-50	70	25-250	10	1-10	20
	25250	250-2500	7-75	90	40-400	10	1.6-16	20
	25400	400-4000	12-120	110	60-600	10	2.5-25	20
	25101				100-1000	10	4-40	20
	25161				160-1600	10	6-60	20
25251				240-2400	10	9-96	20	
40 (1 ½")	40400	400-4000	12-120	45	150-1500	20	5-50	25
	40600	500-6300	15-180	55	250-2500	20	8-80	25
	40800	800-8000	24-240	90	400-4000	20	14-140	25
50 (2")	50600	500-6300	15-180	50				
	50800	800-8000	24-240	70	250-2500	15	9-90	25
	50100	1000-10000	30-300	90	400-4000	15	15-150	25
	50160	1500-16000	50-490	100	600-6000	15	20-200	25
	50101				1000-10000	15	35-350	25
65 (2 ½")	65150	1500-15000	45-450	70	800-8000	15	25-250	25
	65200	2000-20000	60-600	100	1000-10000	15	40-400	25
80 (3")	80020	2000-20000	60-600	80	1000-10000	15	40-400	25
	80025	2500-25000	75-750	100	1600-16000	15	60-600	25
	80030	3000-30000	90-900	120				
100 (4")	81040	4000-40000	120-1200	100	1600-16000	20	60-600	25
	81050	5000-50000	150-1500	120	2000-20000	20	100-1000	25
	81060	6000-60000	180-1800	150				
	81095 *	10000-95000 *	300-2900 *	220 *				
125 (5")	82080	8000-80000	240-2400	120	3000-30000	20	150-1500	30
	82100	10000-100000	300-3000	150	4000-40000	20	200-2000	30
	82120	12000-120000	360-3600	180	6000-60000	20	220-2200	30
150 (6")	83150	15000-150000	450-4500	220	8000-80000	25	250-2500	35
	83180	18000-180000	500-5400	220	10000-100000	25	300-3200	35

* Special flow range. Please consult factory

Metal tube flowmeters

Series SC250

Model SC250H ... V

DN (NPS)	Flow scales			
	EN 1.4404 float (7.95 g/cm ³)			
	l/h water	Δp mbar	l/h water	Δp mbar
15 (1/2")	10-100	390	40-400	200
	16-160	290	60-600	350
	25-250	290		
15 (3/4")	100-1000	350	250-2500	600
	150-1500	350		
25 (1")	60-600 ⁽¹⁾	90	400-4000	290
	100-1000 ⁽¹⁾	90	600-6000	290
	160-1600	290	800-8000 ⁽¹⁾	120
40 (1 1/2")	250-2500	290	1000-10000	300
	400-4000 ⁽¹⁾	90	1000-10000	150
	650-6500	130	1600-16000	180
50 (2")	800-8000	160	2000-20000	270
	600-6000	120	2300-23000	170
	1100-11000	120	3000-30000	170
65 (2 1/2")	1800-18000	150	4000-40000	280
	1800-18000	110	3000-30000	150
	2400-24000	150	4000-40000	220
80 (3")	2500-25000 ⁽¹⁾	50	5000-50000	140
	3000-30000	140	6000-60000	220
	4000-40000	140		

⁽¹⁾ Flow scales available only with plastic float (PP / PVC / PTFE)

The flow ranges of this chart can change slightly depending on the flow direction of the flowmeter. Other ranges are available with floats of different materials.

Scales for air and other liquids and gases are available.

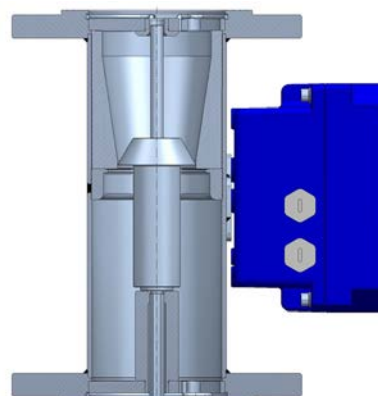
Standard configuration with AISI 316 spring and PTFE centering ring, for a maximum temperature of 130°C. Other materials for spring and ring are available on request.

Model SM250

DN (NPS)	Flow scales			
	EN 1.4404 float (7.95 g/cm ³)			
	l/h water		Δp mbar	
	Type T	Type V	Type T	Type V
15 (1/2")	6-60		55	
	12-120		55	
	16-160		55	
	25-250	30-300	55	55
15 (3/4")	25-250	30-300	55	55
	40-400	50-500	55	55
	60-630	80-800	55	55
	80-800	100-1000	60	60
25 (1")	25-250	30-300	60	70
	40-400	50-500	60	70
	60-630	80-800	60	70
	80-800	100-1000	60	70
	100-1000	130-1300	60	70
	120-1200	160-1600	70	80
	160-1600	200-2000	70	100
	200-2000	250-2500	90	120
40 (1 1/2")	250-2500	300-3000	110	160
	160-1600	200-2000	45	60
	200-2000	250-2500	45	60
	250-2500	300-3000	45	60
	300-3000	400-4000	45	60
	400-4000	500-5300	55	80
	300-3000	400-4000	50	60
	400-4000	500-5300	50	60
50 (2")	500-5000	650-6500	50	60
	600-6000	800-8000	55	80
	750-7500	1000-10000	70	100
	600-6000	800-8000	60	80
65 (2 1/2")	750-7500	1000-10000	60	80
	1000-10000	1300-13000	60	80
	1200-12000	1500-15000	70	90
	1000-10000	1300-13000	60	80
80 (3")	1200-12000	1500-15000	60	80
	1600-16000	2000-20000	60	80
	2000-20000	2500-25000	80	100
	2000-20000	2500-25000	80	100



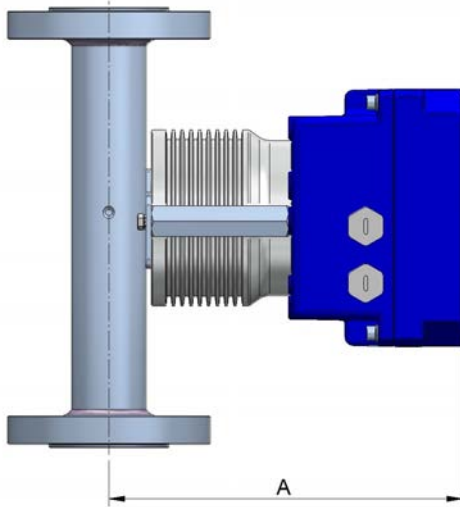
SC250H / AISI 316L - ED



SM250 / AISI 316L
with type T float

Accessories

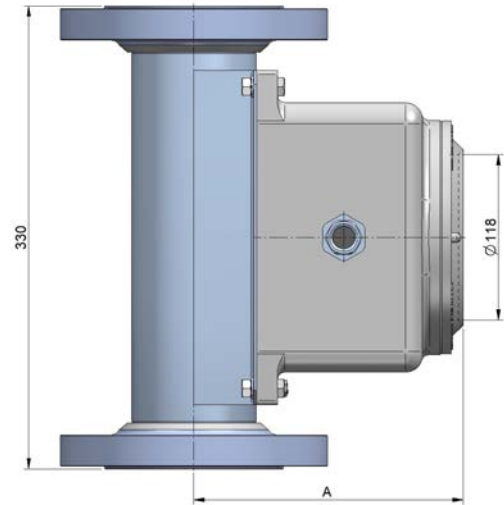
Thermal separator



DN	15	25	40	50	65	80	100	125	150
A	195	201	205	212	216	225	234	246	260

- Standard in aluminium, optional in EN 1.4404 (AISI 316L)
- Recommended for fluids at high and low temperatures
- With electronics:
 - DN15 ... DN65: -180°C ... +300°C
 - DN80 ... DN150: -180°C ... +260°C
- Without electronics: DN15 ... DN150: -180°C ... +400°C
- Reference ambient temperature: 20°C

Ex d Exproof housing



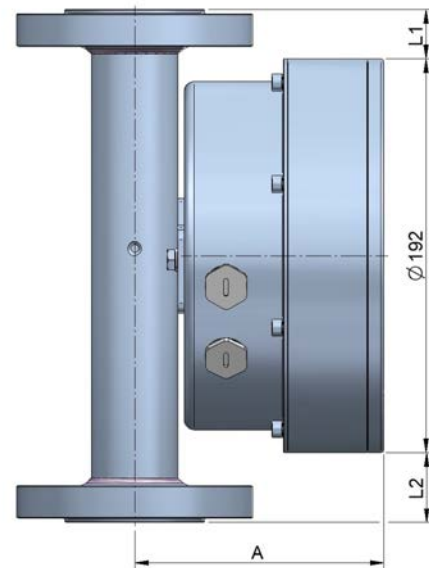
DN	15	25	40	50	65	80	100	125	150
A	162	168	172	179	183	191	201	213	226

- Aluminium housing with glass window for flow indication
- ATEX/IECEx certificate
 - Ex d IIC T6 ... T4 Gb / Ex tb IIC T85°C ... T135°C Db
- Available with switches and transmitters
- Ingress protection: IP66 / IP67

EN 1.4404 (AISI 316L) housing

- Specially indicated for working within sanitary or sterile installations, saline atmospheres (marine platforms), etc.
- All stainless steel construction EN 1.4404 (AISI 316L), with glass window
- Available with switches and transmitters
- Ingress protection: IP67

SC250 / AISI 316L with AISI 316L housing



DN	15	25	40	50	65	80	100	125	150
L1	24	24	24	24	24	24	29	29	54
L2	34	34	34	34	34	34	29	29	54
A	115	121	125	132	137	145	154	167	180

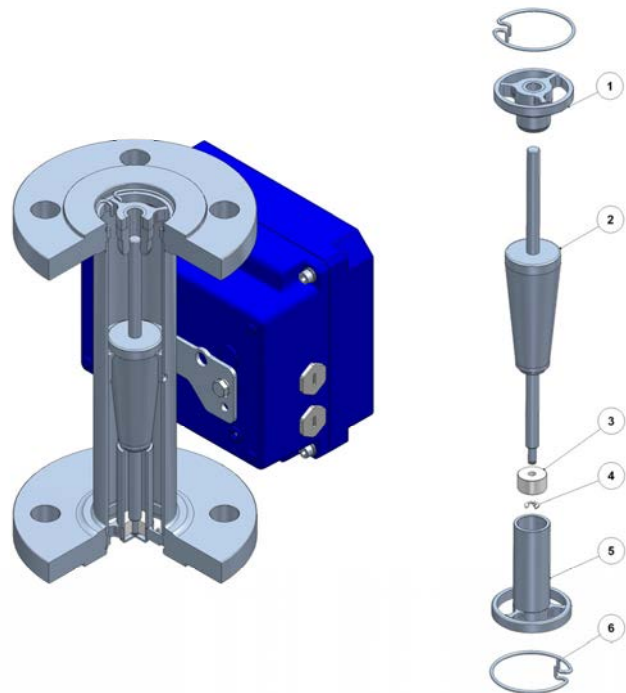
Float damping system (for gas and steam applications)

Ceramic, PEEK or metallic piston system for avoiding float oscillations in flowmeters for gas and steam service, obtaining stable readings even with very low working pressures and low gas densities.

Available for DN15 ... DN80

Components:

1. Upper float stop
2. Float
3. Piston:
 - PEEK: T_{max} 70°C
 - Cerámica: T_{max} 400°C
 - Otros: consultar
4. Piston locking circlip
5. Guide cylinder
6. Circlips for locking upper float stop & guide cylinder

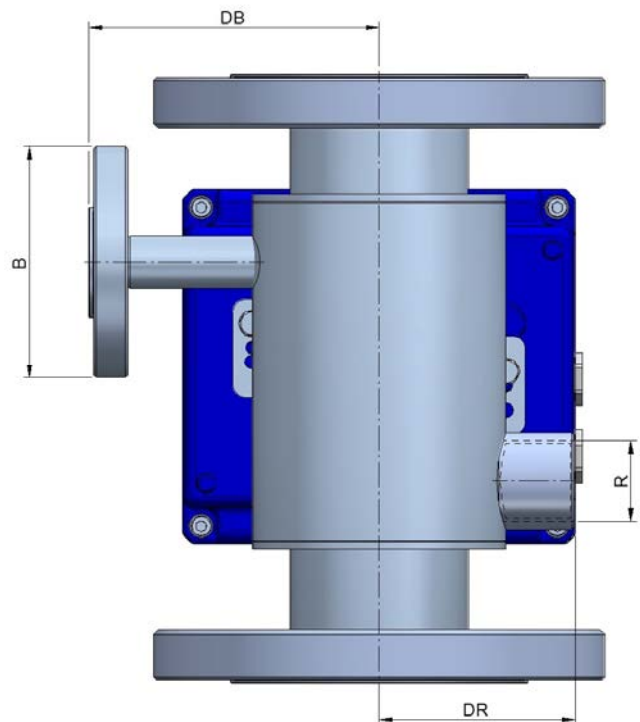


Heating-cooling chamber

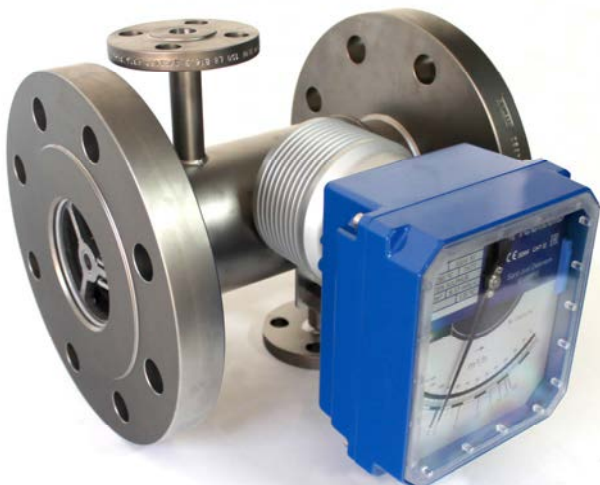
For installations that require maintaining the process fluid temperature by means of the circulation of a heating or cooling fluid through the double chamber of the flowmeter.

- Without contact with the process fluid
- BSP or NPT threaded connections or EN 1092-1 flanged connections. Other standards on request
- Material stainless steel EN 1.4404 (AISI 316L). Other materials on request
- Connection sizes as per the table below

DN	15 (BC)	15	25	40	50	65	80	100	125	150
R		1/2"		3/4"				1"		
B		DN15		DN20				DN25		
DR	35	39	45	50	50	56	70	80	91	104
DB	77	77	88	105	112	122	130	140	155	172



SC250H / AISI 316L—ED with thermal separator in aluminium and heating-cooling chamber with flanged connection



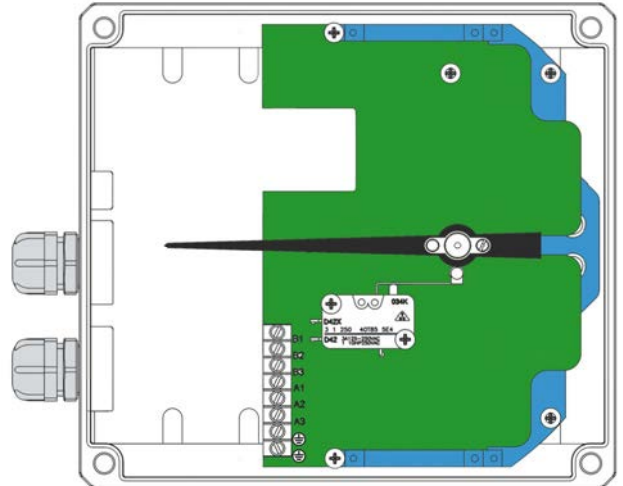
Limit switches

Adjustable limit switch AMM



Electrical micro-switch.

- AMM1 ... 2: 1 ... 2 adjustable limit switches
- Ratings: 3(1) A, 250 V (EN 61058)
- Hysteresis: $\pm 10\%$ of full scale value
- Ambient temperature: -25°C ... $+100^{\circ}\text{C}$
- Mechanical life: 10^7 operations
- ATEX / IECEx certificate Ex ia IIC T6 Ga / Ex ia IIIC T $^{\circ}\text{C}$ Da
- Gold plated contacts on request.



AMM

Adjustable limit switch AMD



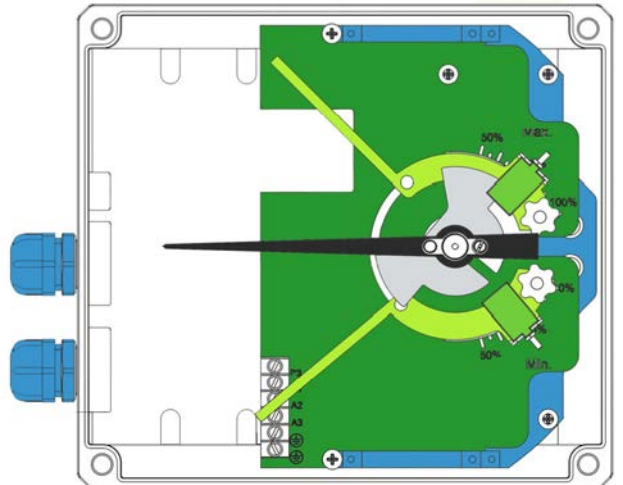
NAMUR (EN 60947-5-6) 3.5 mm slot type inductive detector activated by vane.

- AMD1 ... 2: 1 ... 2 adjustable limit switches
- Nominal voltage: 8.2 V / Working voltage: 5 ... 25 V
- Ambient temperature: -25°C ... $+100^{\circ}\text{C}$
- ATEX / IECEx certificate Ex ia IIC T6 Ga / Ex ia IIIC T $^{\circ}\text{C}$ Da

Control relay (on request)

NAMUR (EN 60947-5-6) for 1 or 2 inductive detectors.

- Power supply: 20 ... 30 VDC
- Consumption: < 1.3 W
- Relay output:
 - Vmax: 253 VAC / 2A // 40 VDC / 2A resistive load
- Ambient temperature: -20°C ... $+60^{\circ}\text{C}$



AMD

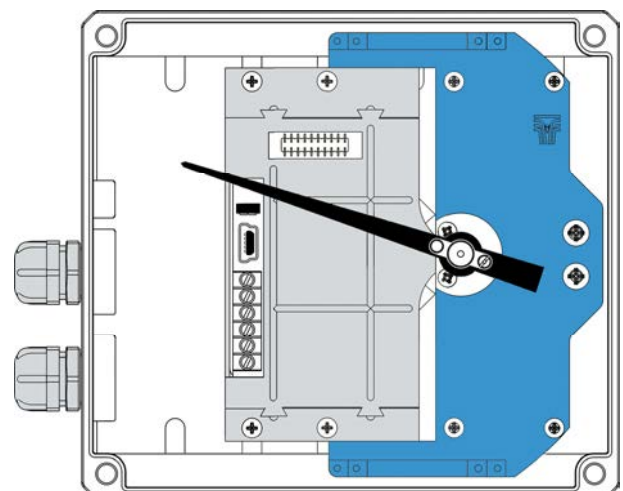
Transmitters and totalizers

Transmitter TH7



The TH7 electronic transmitters provide an analog output proportional to the flow rate and a digital output selectable as a pulse output or an alarm (except for the Ex versions). A volume totalizer can also be included. They are based on the Hall effect and mounted inside the indicator housing.

- TH7 transmitter + digital output
- TH7H transmitter + digital output + HART protocol
- TH7T transmitter + digital output + totalizer
- TH7TH transmitter + digital output + totalizer + HART protocol



TH7

Metal tube flowmeters

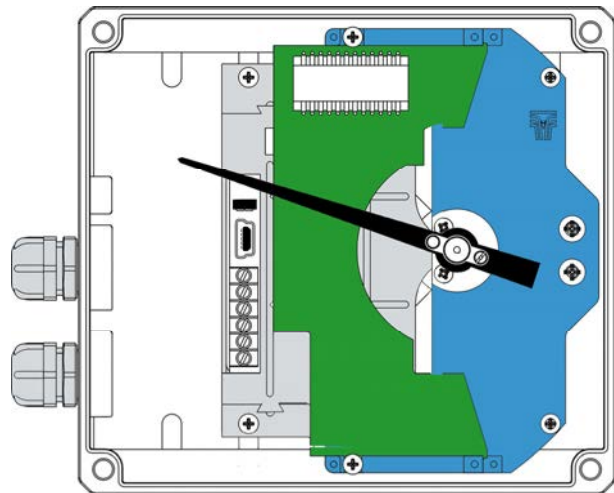
Series SC250

Technical data

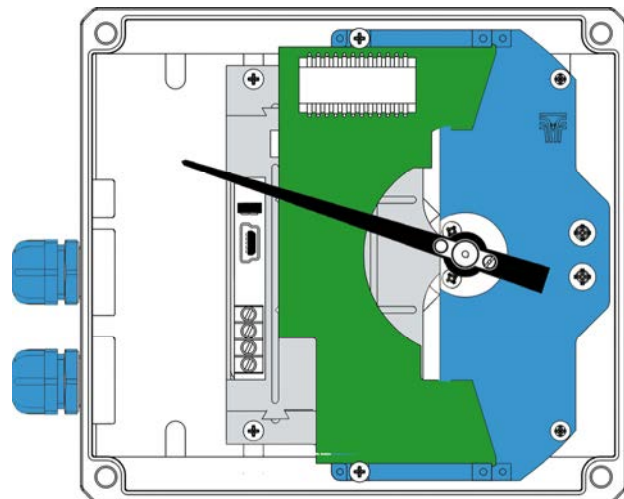
- Power supply: 12 ... 36 VDC (18 ... 36 VDC with HART protocol), 2-wire system
- Power consumption: 4-20 mA for 0 ... 100% of scale
- 4-20 mA analog output:
 - Error: < 0.6% of the magnet position
 - Maximum load in 4-20 mA loop: 1.1 k Ω (with 36 VDC power supply)
- Digital output: Potential free N channel MOSFET, I_{max} 200 mA, for pulse or alarm output:
 - Pulse output:
 - Maximum frequency 6 Hz
 - Pulse duration approx. 62.5 ms
 - Alarm output: adjustable in one point of the scale. Programmable by means of Winsmeter TH7 software
- Totalizer: 8 digits, 4.5 mm high. Reset by potential free contact
- Ambient temperature: -20°C ... +70°C
- Easy programmable by means of Tecfluid's Winsmeter TH7 software, available for download at www.tecfluid.com

ATEX / IECEx version

- ATEX / IECEx certificate
Ex ia IIC T6 ... T4 Ga / Ex ia IIIC T85°C Da
- Power supply: 14 ... 30 VDC, 2-wire system
- Power consumption: 4-20 mA for 0 ... 100% of scale
- 4-20 mA analog output:
 - Error: <0.6% of the magnet position
 - Maximum load in 4-20 mA loop: 900 Ω (with 30 VDC power supply)
- Totalizer: 8 digits, 4.5 mm high. Reset by potential free contact
- Ambient temperature: -20°C ... +40°C



TH7T



TH7T Ex

Both limit switches AMM or AMD and electronic transmitters TH7 or TH7T can be mounted together in the same housing. The TH7 Ex and TH7T Ex transmitters belong to group II. They are intended for use in potentially explosive atmospheres, except in mining

Electronic converter



Model MT03A

- Electronic converter for flow applications
- Resistance and current inputs
- Programmable via USB cable by means of Tecfluid S.A. Winsmeter MT03 software or by means of keyboard and graphic display with intuitive menus
- Panel mounting with dimensions 96 x 96 mm DIN 43700
- Power supply: 100 ... 240 VAC 50 / 60 Hz
18 ... 36 VDC
- Full diagnosis. User selectable password protection
- 5 digits local flow rate indication and 8 digits totalizer and partial totalizer. Possibility of remote reset
- Programmable 4-20 mA analog output
- 2 x relay outputs programmable as flow rate alarms

- Mass flow rate can be measured programming the product density
- Ingress protection: IP50 front, IP30 back (Optional IP65 front with silicone cover)
- Ambient temperature: -20°C ... +60°C
- MODBUS RTU RS485 protocol on request



MT03A

PRESENCE IN MORE THAN 50 COUNTRIES ALL OVER THE WORLD



TECFLUID
The art of measuring

Tecfluid S.A.
Narcís Monturiol 33
08960 Sant Just Desvern
Barcelona
Tel: +34 93 372 45 11
tecfluid@tecfluid.com
www.tecfluid.com

Quality Management System ISO 9001 certified by



Pressure Equipment Directive certified by



ATEX European Directive certified by



HART is a registered trademark of the FieldComm Group™

The technical data described in this specification sheet is subject to modification without notification if the technical innovations in the manufacturing processes so require.
TRI-CLAMP® is a registered trademark of Alfa Laval Inc.